

EDGELED™

UFO LED HIGH BAY LIGHT

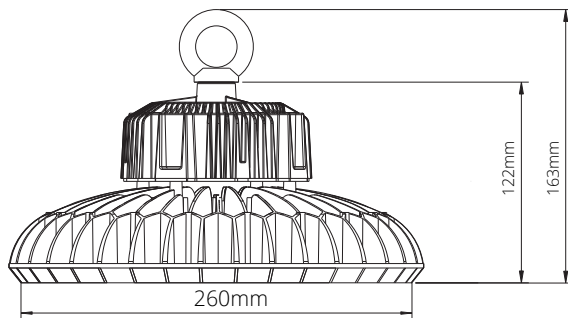


>130LM/W

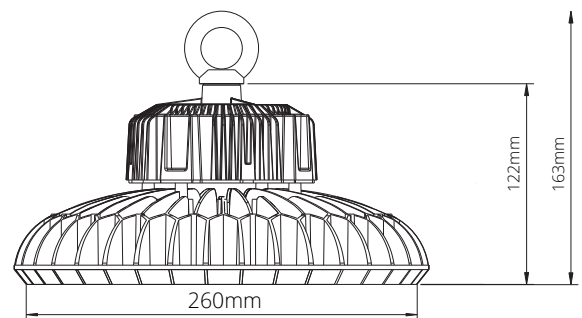
FEATURES

- Integrated heat sink design, die-casting aluminum.
- Epistar 2835 chips, >130lm/w.
- Wide aluminum PCB design.
- Installation: Hook hanging.
- Certificate: DLC, ETL, CE, RoHS. 5 years warranty.
- Ra>80, LM80 standard, IP65 waterproof.
- Application such as workshop, warehouse, toll station, supermarket, exhibition hall, gymnasium.

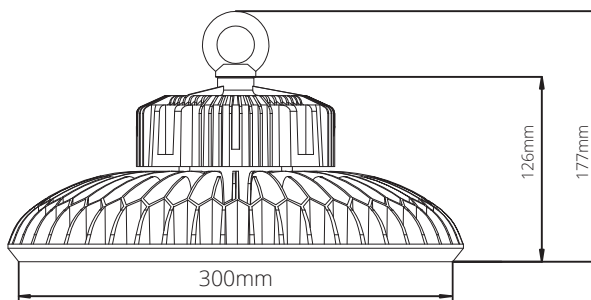
DIMENSION



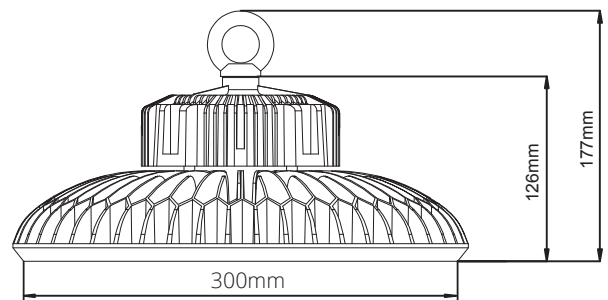
100W



150W



200W



240W

EDGE LED

Published 5-15-2019

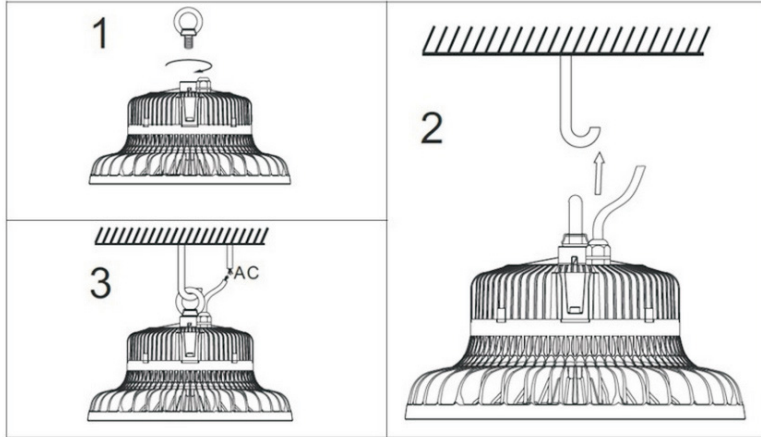
Phone: 858.810.8295
 Email: info@edge-led.com
 Web: edge-led.com



ORDERING INFORMATION

MODEL #	POWER	SIZE	LUMEN	BEAM ANGLE	CCT	VOLTAGE	POWER FACTOR	CRI	NET WEIGHT
EL-UFO-100W	100W	260X260X163MM150W	13000LM	60°/90°/120°	2700/3000/4000/5000/>6000K	AC100-277V	>0.95	≥80	4.5KG
EL-UFO-150W	150W	260X260X163MM240W	19500LM	60°/90°/120°	2700/3000/4000/5000/>6000K	AC100-277V	>0.95	≥80	4.5KG
EL-UFO-200W	200W	300X300X177MM	26000LM	60°/90°/120°	2700/3000/4000/5000/>6000K	AC100-277V	>0.95	≥80	4.5KG
EL-UFO-240W	240W	300X300X177MM	31200LM	60°/90°/120°	2700/3000/4000/5000/>6000K	AC100-277V	>0.95	≥80	4.5KG

INSTALLATION



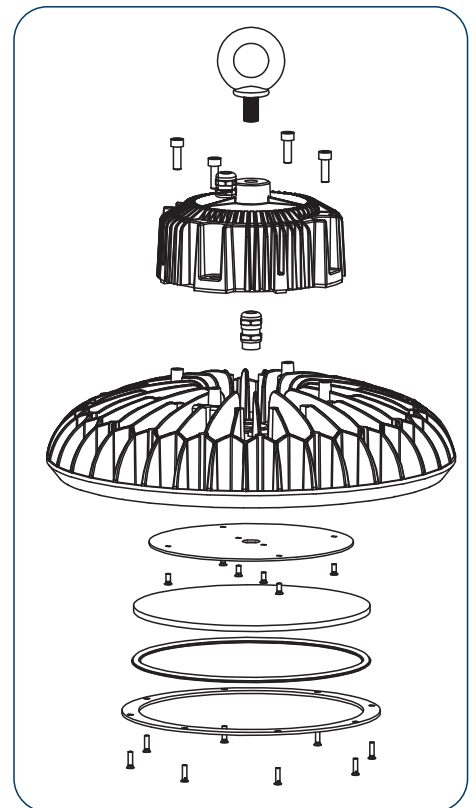
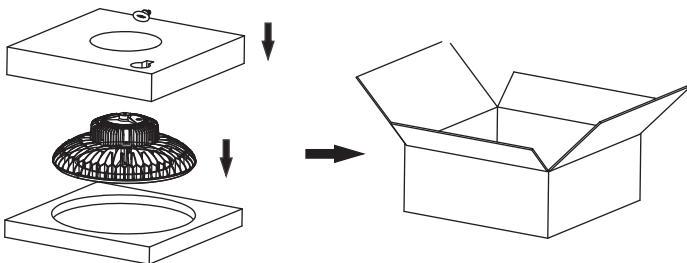
REPLACEMENT TABLE

UFO Highbay Light	Metal Hatlide
100W	320W
150W	400W
200W	600W
240W	800W

DIMENSION

Parameter	Rating
Heat Sink Temp	65°C
Operating Temp	-20~+65°C
Storage Temp	-40~+80°C
Equilibrium Temp	25°C

MODEL #	PACK QUANTITY	NET WIEGHT	VOLUME WEIGHT	CTN SIZE
EL-UFO-100W	1PCS	3.3KG	4.5KG	310X310X210MM
EL-UFO-150W	1PCS	3.3KG	4.5KG	310X310X210MM
EL-UFO-200W	1PCS	4.5KG	5.5KG	350X350X220MM
EL-UFO-240W	1PCS	4.5KG	5.5KG	350X350X220MM



EDGE LED

Published 5-15-2019

Phone: 858.810.8295
 Email: info@edge-led.com
 Web: edge-led.com

EDGELED