

EDGELED™

LED WALL PACK LIGHT

(40W/60W/100W/120W)

QUALIFICATION



IP65



FEATURES

- Including series of patents, Unique funnel heat sinker, making the lamp better for heat dissipation. Fresnel teeth lighting design for the PC cover, which is suitable for wall light distribution;
- The LED driver and LED light source are separated, which is convenient for install and assemble;
- IP65 ingress protection;
- Epistar 2835 LED chip;
- LM79, LM80 Report;
- DLC, ETL, CE, RoHS certificates;
- 5-year warranty.



40W/60W



100W/120W

ORDERING INFORMATION

EL-WP

MODEL #

EL-WP

WATTAGE

40W=4800LM

60W=7200LM

100W=12000LM

120W=14400LM

COLOR TEMPERATURE

30K=3000K

40K=4000K

50K=5000K

EDGE LED

Phone: 858.810.8295
 Email: info@edge-led.com
 Web: edge-led.com

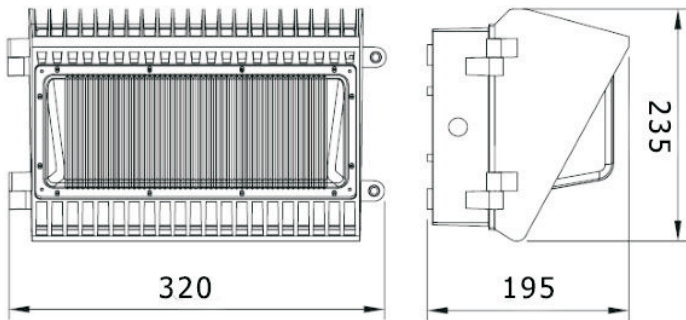
Published 5-20-2019



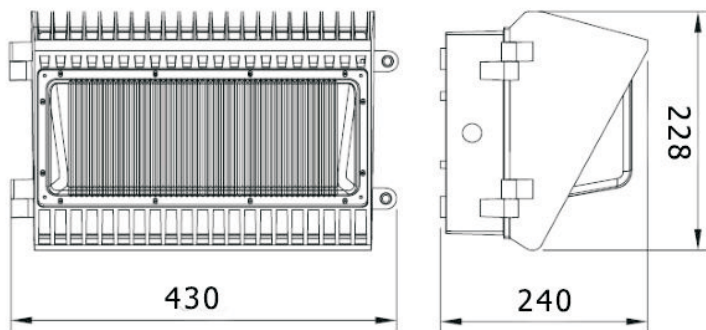
SPECIFICATION

	EL-WP-40W	EL-WP-60W	EL-WP-100W	EL-WP-120W
RATED POWER	40W	60W	100W	120W
LUMINOUS FLUX	4800LM	7200LM	12000LM	14400LM
DIMENSION	320X235X195MM	320X235X195MM	430X228X240MM	430X228X240MM
NET WEIGHT	5.02KG	5.02KG	7.74KG	7.74KG
INPUT VOLTAGE	AC100-277V			
LED LIGHT SOURCE	EPISTAR 2835			
CCT	2700-6500K			
CRI	RA>83			
POWER FACTOR	>0.95			
WORKING TEMPERATURE	-20~+40°C			
BEAM ANGLE	120°			
IP RATING	IP65			
LIFESPAN	50,000HRS			

DIMENSION



40W/60W



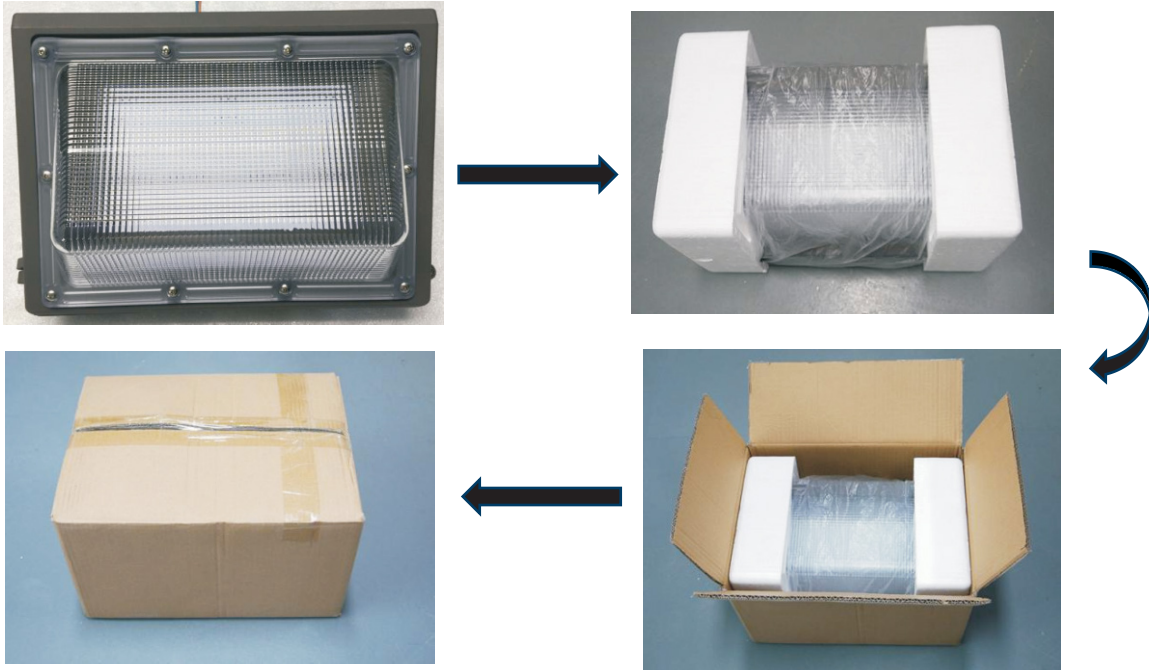
100W/120W

AGING

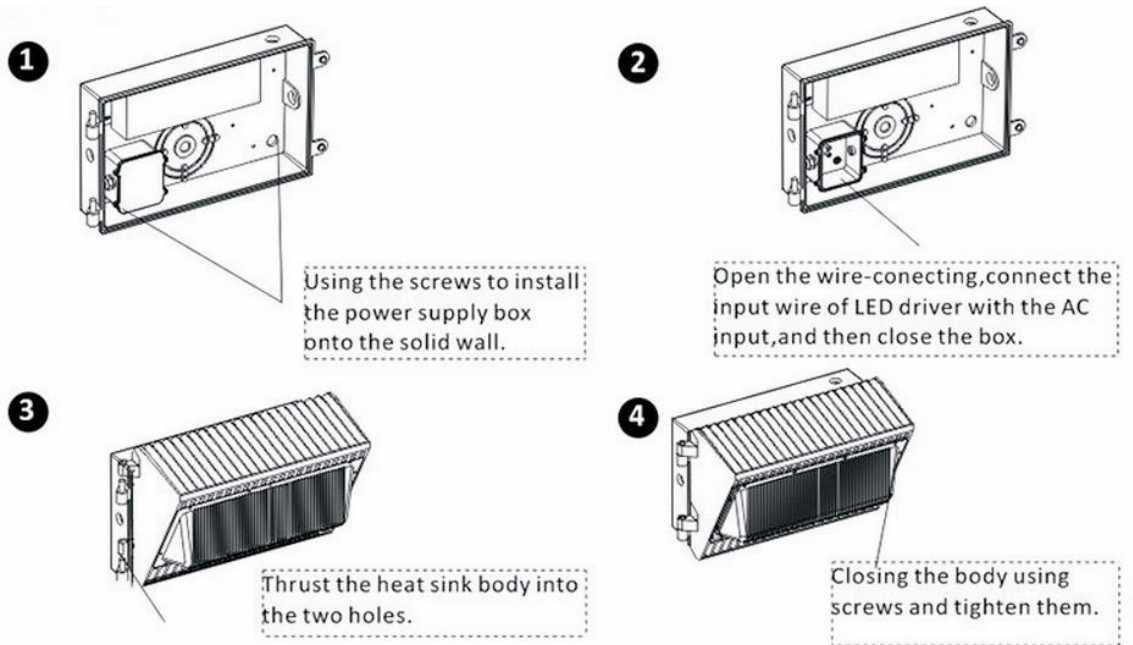


PACKAGE

	EL-WP-40W	EL-WP-60W	EL-WP-100W	EL-WP-120W
Carton size	385x285x230mm	385x285x230mm	490x270x280mm	490x270x280mm
G.W	5.66KG	5.66KG	8.36KG	8.36KG
Packing Qty.	1pcs	1pcs	1pcs	1pcs



INSTALLATION



APPLICATIONS

Square, Billboard, Parking Lot, Garden, Building, Factory, Warehouse, Stadium, Gas Station, etc.



EDGE LED

Phone: 858.810.8295
Email: info@edge-led.com
Web: edge-led.com

Published 5-20-2019

